



R1000S

MOBILE TRACK-MOUNTED IMPACT CRUSHER

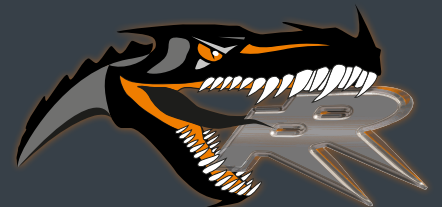
Performance up to 310 st/h / 280 t/h*

Transport weight 68,350 lbs / 31,0 t

Fully hydraulic 

PRODUCT DESCRIPTION

EFFICIENT
CRUSHING
TECHNOLOGY



Rockster Austria International GmbH | Matzelsdorf 72, 4212 Neumarkt i.M., Austria
Tel.: +43 720 70 1212 | office@rockster.at | www.rockster.at

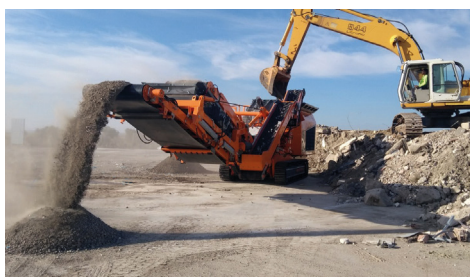


ROCKSTER[®]

*depending on material

PRODUCT DESCRIPTION

R1000S



MOBILE TRACK-MOUNTED IMPACT CRUSHER

R1000S



**HIGH & CONSTANT
PERFORMANCE**



**INCREASED
MOBILITY**



**EASE OF
OPERATION**



**MAXIMUM
FLEXIBILITY**



**HYDROSTATIC
DRIVE**



**LONG-TERM
RELIABILITY**



**CLIMATE
FRIENDLY**

Rockster Austria International GmbH | Matzelsdorf 72, 4212 Neumarkt i.M., Austria
Tel.: +43 720 70 1212 | office@rockster.at | www.rockster.at



ROCKSTER®

APPLICATION AREAS

R1000S



Perfect cubic final grain

COMPACT. FLEXIBLE. POWERFUL.

The mobile impact crusher R1000S is specially developed for applications where space is limited such as for inner-city projects.

Because of its optimal dimensions, the R1000S is easily transported from one jobsite to another. It is the perfect combination of compactness and maximum performance.

Rockster's mobile track-mounted impact crusher is based on a fully hydraulically concept, which allows flexible recycling of asphalt, concrete and demolition debris.

Besides previously mentioned materials, the R1000S is also suitable for precise processing of natural stone.

R1000S IS THE MOST COMPACT SOLUTION FOR RECYCLING & CRUSHING OF:

CONCRETE



Recycled concrete blocks 0/16

DEMOLITION DEBRIS



Subbase road 0/32

ASPHALT



Road 0/32

BRICK



Refilling pipelines 0/64

VIRGIN STONE



Forest road 0/32

MAIN DIMENSIONS

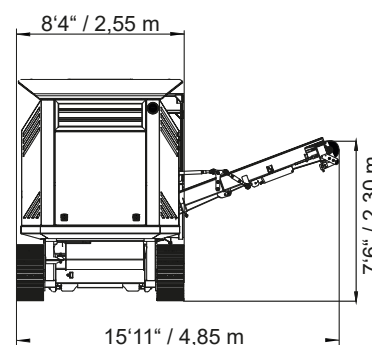
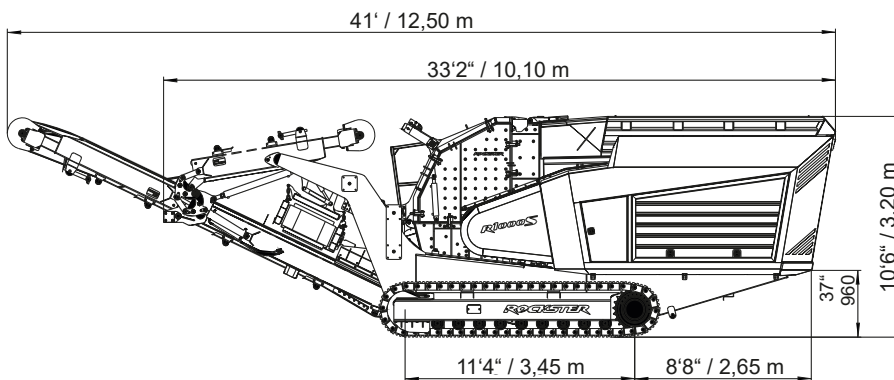
R1000S

Transport dimensions

| | |
|---------|---------------------|
| Length: | 33'2" / 10,10 m |
| Width: | 8'5" / 2,55 m |
| Height: | 10'6" / 3,20 m |
| Weight: | 68.350 lbs / 31,0 t |

Feeding & discharge height

| | |
|----------------------|------------------|
| Feeding height: | 10'6" / 3,20 m |
| Main discharge belt: | ~ 10'6" / 3,20 m |
| Side discharge belt: | ~ 7'6" / 2,30 m |



TECHNICAL DETAILS

MAXIMUM FLEXIBILITY

The Rockster impact crusher guarantees highest performance at a very high crushing ratio. Due to two hydraulically adjustable swing-beams, as well as the rotor speed variation, the final grain can be precisely defined. High quality blow bars can be used bilaterally too

and are chosen individually depending on the application. The blow bar exchange is possible through a built-on blow bar exchange device, therefore an external lifting device is not necessary. High quality wear materials ensure reduced wear.

Impact crusher

| | |
|--|-------------------------------|
| Inlet opening: | 38" x 29" / 960 x 720 mm |
| Impact circle diameter: | 41" / 1040 mm |
| Rotor equipment: | 4 blow bars |
| Crushing ration: | 1:10 - 1:50 |
| Performance: | up to 310 st/h / 280 t/h |
| Rotor speed (continuously adjustable): | up to 850 rpm |
| Drive: | hydrostatic |
| Gap adjustment (adjusted on display): | fully hydraulic |
| Dust suppression: | At the crusher inlet & outlet |

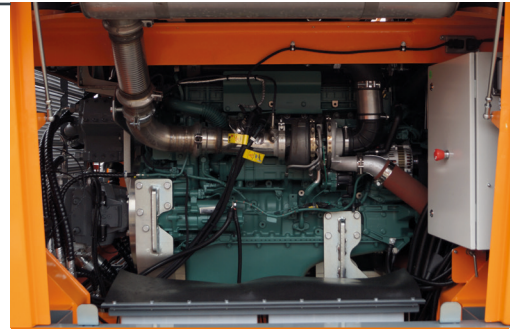


Drive unit

| | |
|--|-----------------------------------|
| Engine (electronically regulated): | Volvo Stage IIIA - 235 kW / 320HP |
| | Volvo Stage IV - 235 kW / 320HP |
| | CAT Stage IIIA - 242 kW / 325HP |
| | CAT Stage V - 250 kW / 335HP |
| Cylinder: | 6 |
| Cooling system: | water |

The drive system is located at the rear of the machine, enclosed in a sound-proofed housing. Engine openings are positioned on all sides for easy access, service and overall maintenance.

The hydraulic pump for all auxiliary drives (main discharge belt, side discharge belt, vibration chute, crawler gear...) as well as the pump for the hydrostat are driven via a distributing gear unit which is flange-mounted on the drive engine. The hydrostat activates the crusher via a V-belt drive.



ADVANTAGES OF THE HYDROSTATIC DRIVE

- > Elimination of conventional clutch. No wear.
- > Individual adjustment of crusher speed
- > Crusher overload protection
- > Power adjustment according to individual requirements
- > Uniform throughput
- > Enormous power reserves

Feed hopper

| | |
|-----------|--|
| Material: | Hardox 400 |
| Volume: | 5.5 yd ³ / 4,2 m ³ |
| Length: | 12'6" / 3800 mm |
| Width: | 8'2" / 2500 mm |
| Height: | 10'6" / 3200 mm |



Vibration chute with 2-deck pre-screening

| | |
|--------------------|---|
| Material: | Hardox 400 / 2-step |
| Pre-screen length: | 5'5" / 1660 mm |
| Type: | Zig zag |
| Option: | bar screen |
| 2-deck pre-screen: | Standard mesh 1 1/3" / 34 mm (3'11" x 3'3" / 1200 x 1000 mm) |
| Drive: | hydraulic - with load-dependent speed control Overload protection |
| Construction: | separated from hopper - freischwiegend auf Federn |
| Advantages: | More efficient material flow, less clogging |



Bypass - 3 different work flows

The switchable chute (Bypass) enables the discharge of pre-screened material on the side or onto the main discharge belt.

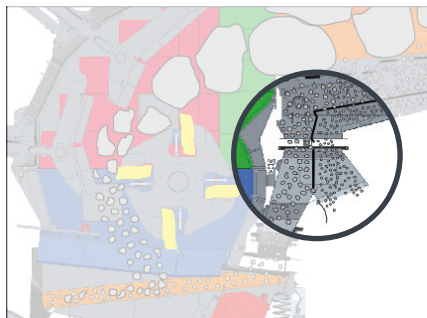
Easy switch via hand lever.

No special assembly necessary.

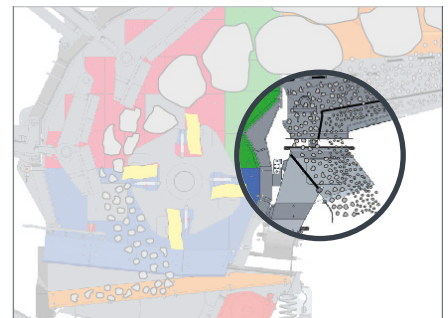
No wear. No service.



Main conveyor belt, to increase the performance of the crusher (fine end-product bypasses the crusher).



Medium-size product like Example 1, the end-product goes to the side conveyor belt.



Side conveyor belt, to clean the material or to get an extra final product.

Main discharge belt

| | |
|-------------------|----------------------------------|
| Belt width: | 44" / 1100 mm |
| Discharge height: | ~ 10'6" / 3,20 m |
| Angle: | 26° adjustable |
| Drive: | hydraulic, continuously variable |

The main discharge belt is hydraulically lowerable for service and maintenance as well as hydraulically foldable for transport purposes.



Side discharge belt

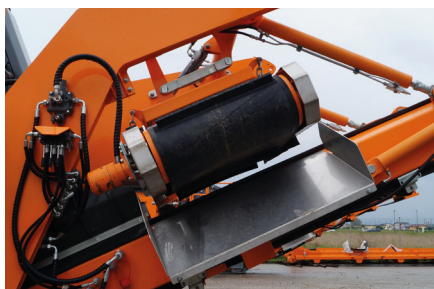
| | |
|-------------------|-----------------|
| Belt width: | 20" / 500 mm |
| Discharge height: | ~ 7'6" / 2,30 m |
| Angle: | 20° |
| Drive: | hydraulic |

The side discharge belt is hydraulically foldable for transport purposes.



Magnetic separator - adjustable height

| | |
|--------------------|--|
| Type: | Permanent magnet |
| Belt width: | 30" / 750 mm |
| Weight: | 2500 lbs / 1130 kg |
| Drive: | hydraulic |
| Height adjustment: | via remote control |
| Benefits: | <ul style="list-style-type: none"> > Avoid damage to the main belt > Simplified adjustment of the optimal distance > Easy removal of all blockages |



Vibrating hardox discharge chute

| | |
|-----------|--|
| Length: | 5'11" / 1800 mm |
| Width: | 3'11" / 1200 mm |
| Drive: | hydraulic - through vibration gear |
| Benefits: | <ul style="list-style-type: none"> > No wear of the main belt, especially beneficial when crushing steel-reinforced concrete |



Caterpillar crawler

| | |
|--------------|------------------------|
| Tread width: | 16" / 400 mm - slanted |
| Wheel base: | 11'4" / 3450 mm |
| Surface: | triple ribbed pads |
| Drive: | 2-speed hydraulic |



Control panel

Central control/operating unit ensures an easy operation and machine monitoring in connection with a wireless remote control.

Fully automatic engine Start-Stop system with only one button.

- > Save the operation settings for various applications
- > Error monitoring - error log
- > Input & output status
- > Fast start of operation (QUICKSTART-Function)
- > Fully hydraulic gap adjustment via machine control system. Integrated measuring system



Environmentally friendly

Reduction of emissions through:

- > efficient dust suppression
- > sound-proofed housing
- > motor drive according to the latest technology standards



Easy maintenance & ideal accessibility

Large covers enable optimal accessibility when it comes to service and maintenance. Furthermore they ensure optimal ventilation of the drive-unit and the cooler.

The high-lift function of the side and rear doors saves additional space and ensures more operating space.



The swiveling catwalk is another advantage that contributes to high accessibility and easier maintenance.

OPTIONS



Sound insulation



Main belt - wear protection



Water pump



Air compressor



Blow-bar exchange system



Belt scale incl. printer

OPTIONS - AIR BLOWER

R1000S



FOR A CLEANER AND HIGHER QUALITY FINAL PRODUCT

RVB1700

The Rockster Air blower RVB1700 is used to efficiently separate non-aggregates from the final end-material, which results in a cleaner and higher quality final product. This enables Rockster customers to work more environmentally friendly and economically.

The Rockster RVB1700 air blower is hydraulically operated and can be completely integrated onto every Rockster crusher. The centerpiece of the RVB1700 is a variably adjustable blower, which is connected by flexible hoses to the air nozzle, which has an adjustable angle.

Through the narrow slot of the air nozzle, the air emerges

and blows diagonally from below through the crushed material, so that the unwanted lightweight materials (e.g., polystyrene, textiles, gypsum, foils, wood, etc.) are removed. With relatively little effort, the required final products can have a significantly higher value.

The RVB1700 was also developed as a retrofit kit for Rockster mobile crushers.

SCAN & WATCH



Technical details

| | |
|------------------------|--|
| Air volume: | up to 1.700 m ³ /h / 2,223 yd ³ /h |
| Differential pressure: | up to 7.000 Pa |
| Drive power: | up to approx. 15 kW / 20 hp |
| Drive - rpm: | up to 3.200 min ⁻¹ |
| Weight: | approx. 150 kg / 331 lbs |



OPTION: SCREENING SYSTEM - SCREEN BOX RS100 + DOUBLE-FUNCTIONAL RETURN- OR STOCKPILE BELT RB92

R1000S

Defined final product in one workflow

The optional screening system consists of the compact circular vibrating screen RS100 in combination with the return belt RB92. The screening system is a perfect addition for the production of 100 % defined final grain.

The components are mounted directly onto the main discharge belt and are driven through the additional hydraulic system of the crusher.

In addition, the return belt can be used as a stockpile belt, which enables the production of the second product.



Vibrating screen

Special screens available on demand

| | |
|----------------|---|
| Screen size: | 8'6" x 4'5" / 2600 x 1350 mm |
| Standard mesh: | 1 1/2" / 38 mm |
| Benefits: | <ul style="list-style-type: none"> > The screenbox is hydraulically lowerable to save maintenance time. > The amplitude is adjustable. > Integrated support feet for easy disassembly of the main conveyor and the screen box |



Discharge conveyor - fines

| | |
|-------------------|-----------------|
| Belt width: | 3'11" / 1200 mm |
| Discharge height: | ~ 9'11" / 3,0 m |



Discharge conveyor - oversize grain

| | |
|-------------|--------------|
| Belt width: | 24" / 600 mm |
|-------------|--------------|

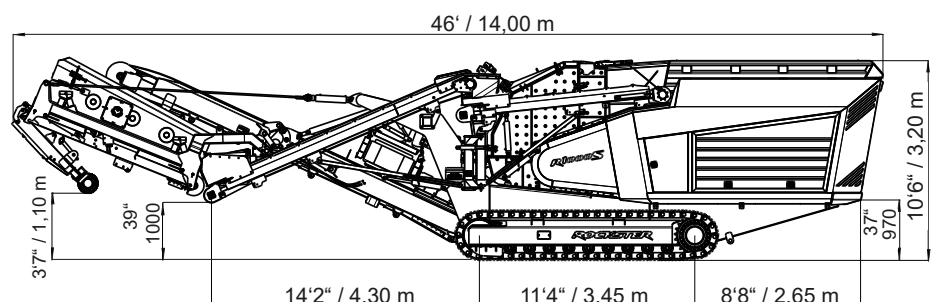
RB92 return or stockpile belt

| | |
|-----------------------------------|-----------------|
| Belt width: | 24" / 600 mm |
| Discharge height (main conveyor): | ~ 12'6" / 3,8 m |



Transport dimensions R1000S + RS100 + RB92

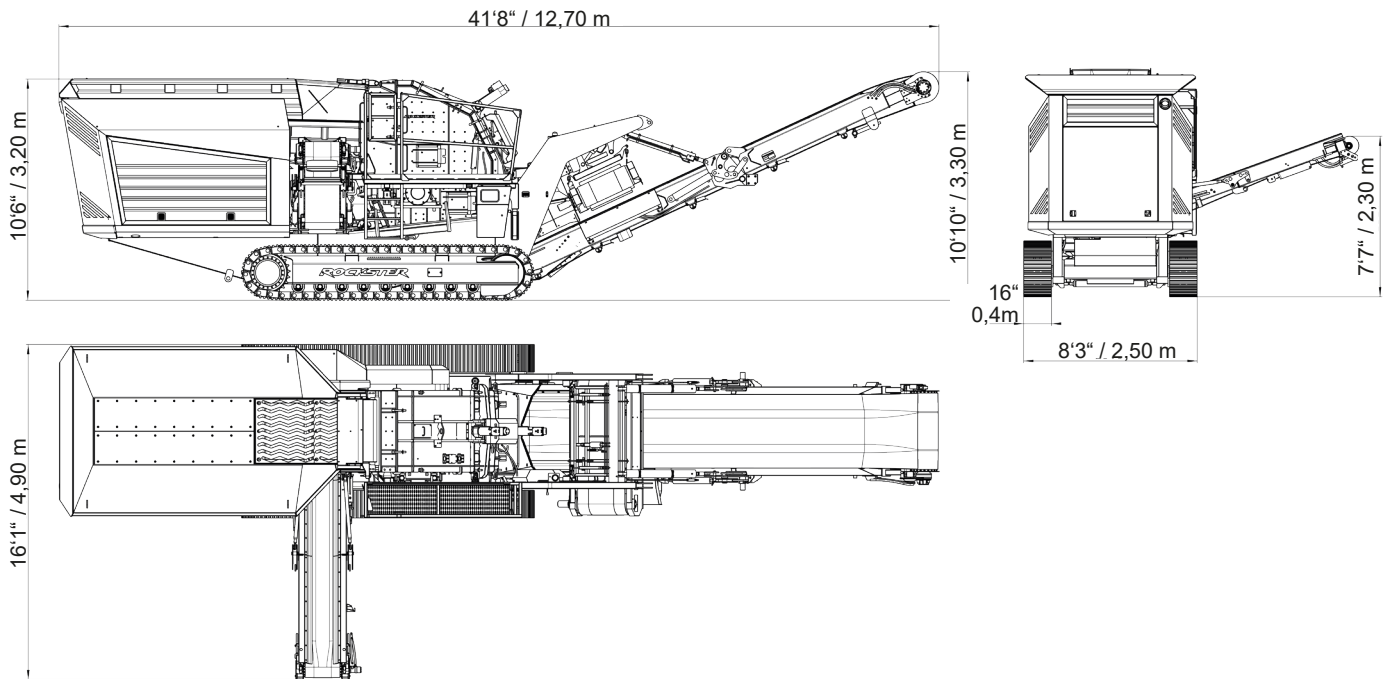
| | |
|---------|----------------------|
| Length: | 46' / 14,00 m |
| Width: | 9'4" / 2,83 m |
| Height: | 10'6" / 3,20 m |
| Weight: | 78,300 lbs / 35,50 t |



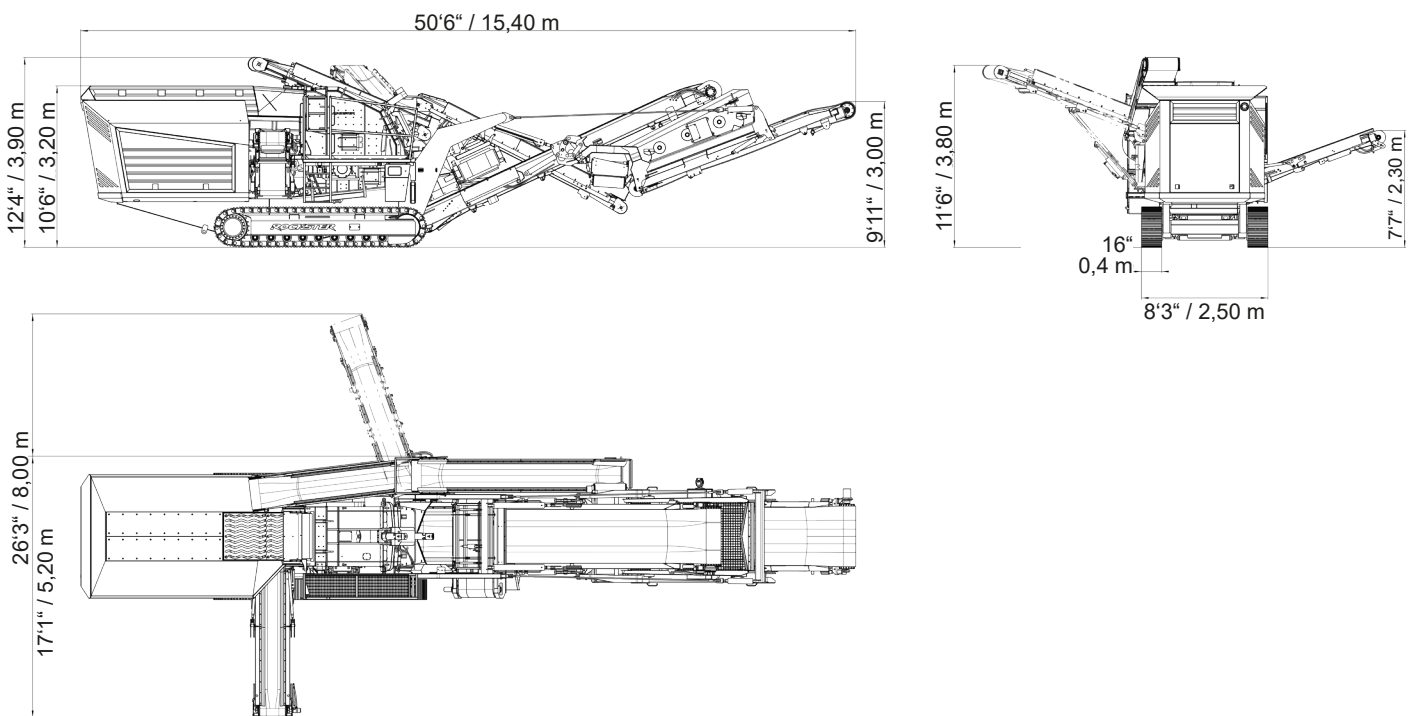
WORKING DIMENSIONS

R1000S

R1000S



R1000S with screening system





SCAN & WATCH

“We have certainly tested 4 or 5 different mobile crushers and for us the whole Rockster package was tailored exactly to our needs. The hydraulic system is very user-friendly and familiar, which we prefer in comparison to electric, because we simply have more experience in this area. Not to forget, of course, the air Blower. It works flawlessly and blows away light material such as wood, plastic, textiles or Ytong parts in one operation, nobody has to remove it by hand.”

Anna Kober, CEO
Kober Transporte GmbH, Austria



„This machine is in the optimum performance class for contract crushing.”

Martin Hopf, CEO
Hopf Bagger KG, Austria



SCAN & WATCH

„I can easily set the crushing gap on the display, it is quick and uncomplicated. I also think it's great that almost all the functions of the crusher can be controlled via remote control.”

Tobias Poschinger, Machine Operator
Anton Sedlmaier GmbH, Germany



SCAN & WATCH

GENERAL INFORMATION



| | | | | | | |
|--|---------------------------|--------------------------|----------------------------|--------------------------|------------------------------|-------------------------|
| | | | | | | |
| HIGH & CONSTANT PERFORMANCE | INCREASED MOBILITY | EASE OF OPERATION | MAXIMUM FLEXIBILITY | HYDROSTATIC DRIVE | LONG-TERM RELIABILITY | CLIMATE FRIENDLY |

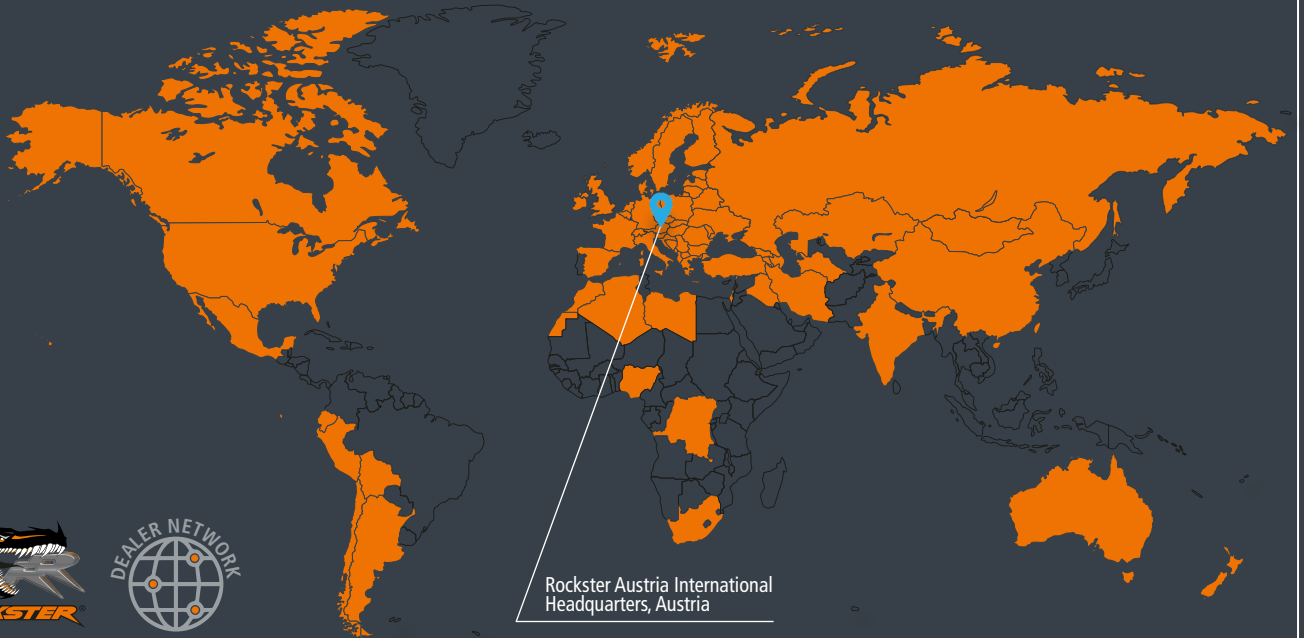
Austrian based manufacturer Rockster Austria International GmbH has a longstanding reputation and the know-how in demolition and screening industry.

The product line includes, among others, track mounted impact and jaw crushers, screening machinery and tracked stackers. "Our mobile crushers and screeners are used for profitable & economical recycling and processing of asphalt, concrete and construction waste, as well as for natural stone.

With innovations like The Original DUPLEX system or double-functional return belt, we repeatedly demonstrate our progressive approach towards improving and developing more efficient recycling & processing methods."

Rockster machines are sold in more than 50 countries worldwide. Our sales partner network guarantees the ideal on-site package of product and service in order to support and secure the daily success of our customers.





Rockster Austria International
Headquarters, Austria

SOLD IN MORE THAN 50 COUNTRIES WORLDWIDE

**EFFICIENT
CRUSHING TECHNOLOGIE**

Rockster Austria International GmbH | Matzelsdorf 72, 4212 Neumarkt i.M., Austria
Tel.: +43 720 70 1212 | office@rockster.at | www.rockster.at

