



RSS410

MOBILE TRACK-MOUNTED SCALPING SCREEN

Feed hopper 5.9 yd³ / 4,5 m³

Screen surface 10' x 4' / 3,0 x 1,2 m

Transport weight ~ 34,400 lbs / 15,6 t

EFFICIENT
SCREENING
TECHNOLOGY





MOBILE TRACK-MOUNTED SCALPING SCREEN

RSS410

**HIGHLY VERSATILE.
MAXIMUM MOBILITY.
ROBUST.**



3 final fractions

DESIGNED FOR A VARIETY OF APPLICATIONS AND MAXIMUM MOBILITY

The scalping screen RSS410 can be used to separate demolition debris, asphalt, concrete, bricks, coal, metal, top soil, compost and virgin stone.

FEATURES & BENEFITS

- Short set-up time
- Easy handling
- Low feeding height
- Robust steel construction
- Folding hopper tailgate for direct crusher feeding
- Optimal transport dimensions
- Hydraulically lowerable oversize belt to facilitate access to the lower screen deck
- Hydraulically foldable discharge belts
- Easy access to the engine compartment

Applications

- Produces 3 final fractions as an individual machine
- Pre-screen before the crusher for production of 2 additional defined fractions, the separation of fines serves as wear protection & increases the crusher performance
- Final screening unit after the crusher to separate the crushed product into 3 final fractions

TECHNICAL DETAILS

RSS410

PERFORMANCE	
Max. feed size:	16" / 400 mm
Capacity:	up to 280 st/h - 250 t/h

HOPPER	
Width:	6'3" / 1,90 m
Length:	11'8" / 3,55
Max. Volume:	5.9 yd ³ / 4,5 m ³

SCREEN SURFACE (both decks)	
Length:	10' / 3,00 m
Width:	4' / 1,20 m
Angle:	15° fixed
Screen decks:	acc. to customer requirements

FEEDER BELT	
Width:	42" / 1050 mm
Type:	Plain belt
Control:	Variable speed

FINES BELT	
Width:	26" / 650 mm
Discharge height:	~ 10'2" / 3,10 m
Control:	Variable speed

MIDS BELT	
Width:	26" / 650 mm
Discharge height:	~ 9'2" / 2,80 m
Control:	Variable speed

OVERSIZE BELT	
Width:	36" / 900 mm
Discharge Height:	~ 10'2" / 3,10 m
Control:	Variable speed

COLLECTION BELT	
Width:	42" / 1050 mm
Control:	Constant

TRACKS	
Width:	12" / 300 mm
Speed:	0,6 miles/h - 1 km/h

DRIVE UNIT	
Tier 3A	JCB444 DieselMax - 86HP / 63kW T.Deutz 2011 - 67HP / 49kW
Tier 4F	JCB444 EcoMax - 74HP / 55kW
Diesel tank:	68 US gallon / 260L
Hydraulic tank:	99 US gallon / 375L

OPTIONS

- > Top deck: Finger tines, bofor bar punch plate or mesh
- > Radio remote control
- > Stage V / T.Deutz 2.9 L4 - 68HP / 50kW

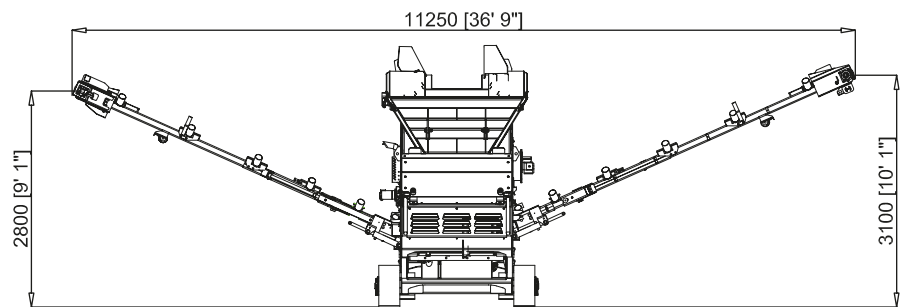
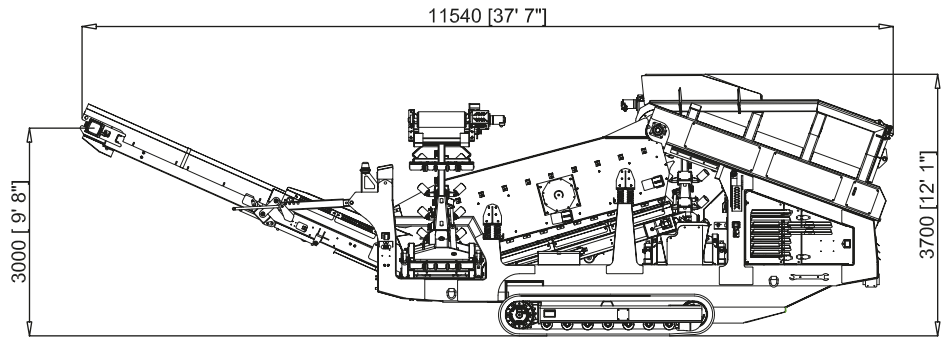


DIMENSIONS

RSS410

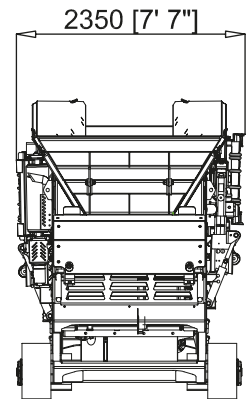
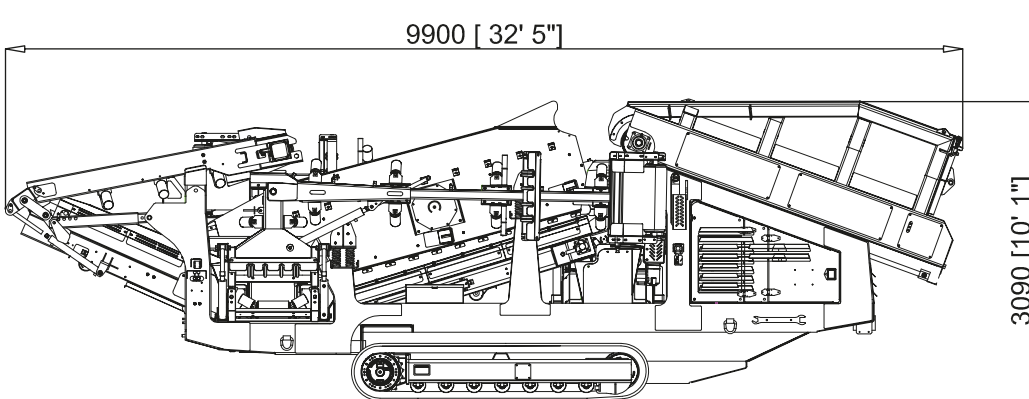
Working dimensions

Length:	37'10" / 11,54 m
Width:	36'11" / 11,25 m
Height:	12'2" / 3,70 m



Transport dimensions

Length:	32'6" / 9,90 m
Width:	7'9" / 2,35 m
Height:	10'2" / 3,10 m
Weight:	34.400 lbs / 15,6 t



GENERAL INFORMATION



**HIGH & CONSTANT
PERFORMANCE**



**INCREASED
MOBILITY**



**EASE OF
OPERATION**



**MAXIMUM
FLEXIBILITY**



**HYDROSTATIC
DRIVE**



**LONG-TERM
RELIABILITY**



**CLIMATE
FRIENDLY**

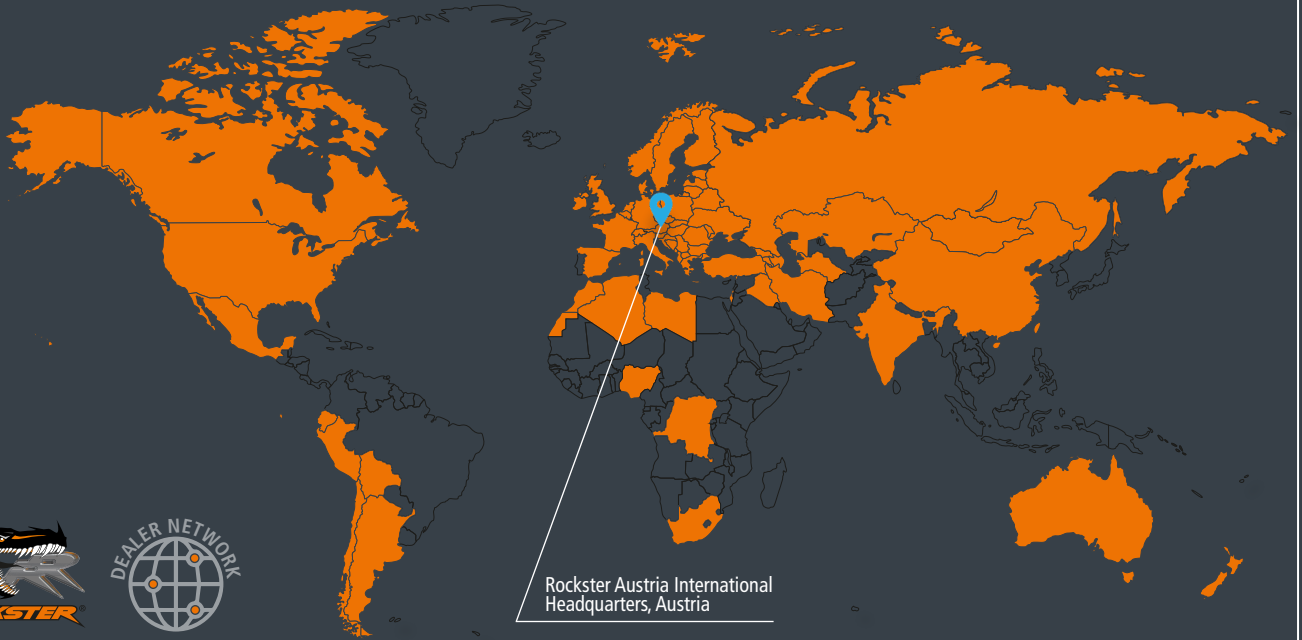
Austrian based manufacturer Rockster Austria International GmbH has a longlasting reputation and the know-how in demolition and screening industry.

The product line includes, among others, track mounted impact and jaw crushers, screening machinery and tracked stackers. "Our mobile crushers and screeners are used for profitable & economical recycling and processing of asphalt, concrete and construction waste, as well as for natural stone.

With innovations like The Original DUPLEX system or double-functional return belt, we repeatedly demonstrate our progressive approach towards improving and developing more efficient recycling & processing methods."

Rockster machines are sold in more than 50 countries worldwide. Our sales partner network guarantees the ideal on-site package of product and service in order to support and secure the daily success of our customers.





Rockster Austria International
Headquarters, Austria

SOLD IN MORE THAN 50 COUNTRIES WORLDWIDE

**EFFICIENT
SCREENING TECHNOLOGIE**

Rockster Austria International GmbH | Matzelsdorf 72, 4212 Neumarkt i.M., Austria
Tel.: +43 720 70 1212 | office@rockster.at | www.rockster.at

